

# UT54LVDS032LVT Low Voltage Quad Receiver with Integrated Termination Resistor

Preliminary Data Sheet



February 14, 2003

## FEATURES

- ❑ >400.0 Mbps (200 MHz) switching rates
- ❑  $\pm 340\text{mV}$  differential signaling
- ❑ 3.3 V power supply
- ❑ TTL compatible outputs
- ❑ Cold spare all pins
- ❑ Nominal  $105\Omega$  Integrated Termination Resistor
- ❑ 3.3ns maximum propagation delay
- ❑ 0.35ns maximum differential skew
- ❑ Radiation-hardened design; total dose irradiation testing to MIL-STD-883 Method 1019
  - Total-dose: 300 krad(Si) and 1Mrad(Si)
  - Latchup immune (LET > 100 MeV-cm<sup>2</sup>/mg)
- ❑ Packaging options:
  - 16-lead flatpack (dual in-line)
- ❑ Standard Microcircuit Drawing TBD
  - QML Q and V compliant part
- ❑ Compatible with IEEE 1596.3SCI LVDS
- ❑ Compatible with ANSI/TIA/EIA 644-1996 LVDS Standard

## INTRODUCTION

The UT54LVDS032LV Quad Receiver is a quad CMOS differential line receiver designed for applications requiring ultra low power dissipation and high data rates. The device is designed to support data rates in excess of 400.0 Mbps (200 MHz) utilizing Low Voltage Differential Signaling (LVDS) technology.

The UT54LVDS032LV accepts low voltage (340mV) differential input signals and translates them to 5V TTL output levels. The receiver supports a three-state function that may be used to multiplex outputs. The receiver also supports OPEN, shorted and terminated ( $100\Omega$ ) input fail-safe. Receiver output will be HIGH for all fail-safe conditions.

The UT54LVDS032LV and companion quad line driver UT54LVDS031LV provides new alternatives to high power pseudo-ECL devices for high speed point-to-point interface applications.

All pins have Cold Spare buffers. These buffers will be high impedance when  $V_{DD}$  is tied to  $V_{SS}$ .

An integrated termination resistor will reduce component count and save board space.

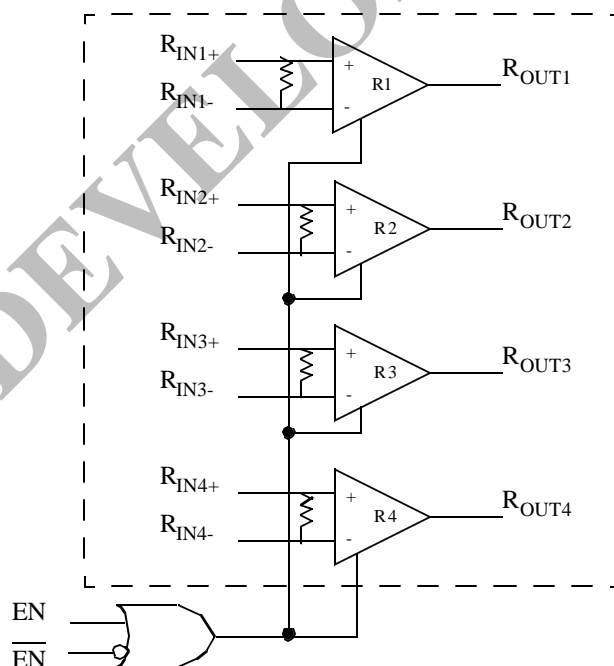
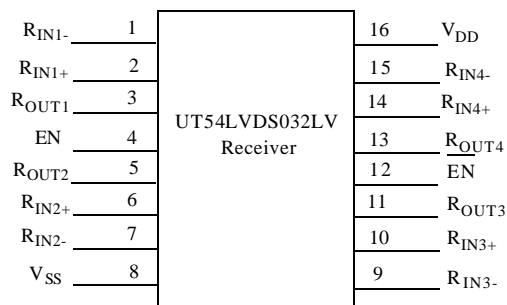


Figure 1. UT54LVDS032LV Quad Receiver Block Diagram



**Figure 2. UT54LVDS032LVT Pinout**

**TRUTH TABLE**

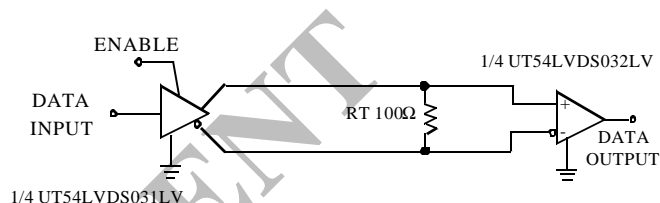
Enables		Input	Output
EN	$\overline{\text{EN}}$	$R_{IN+} - R_{IN-}$	$R_{OUT}$
L	H	X	Z
All other combinations of ENABLE inputs		$V_{ID} \geq 0.1V$	H
		$V_{ID} \leq -0.1V$	L
		Full Fail-safe OPEN/SHORT or Terminated	H

**PIN DESCRIPTION**

Pin No.	Name	Description
2, 6, 10, 14	$R_{IN+}$	Non-inverting receiver input pin
1, 7, 9, 15	$R_{IN-}$	Inverting receiver input pin
3, 5, 11, 13	$R_{OUT}$	Receiver output pin
4	EN	Active high enable pin, OR-ed with $\overline{\text{EN}}$
12	$\overline{\text{EN}}$	Active low enable pin, OR-ed with EN
16	$V_{DD}$	Power supply pin, $+3.3 \pm 0.3V$
8	$V_{SS}$	Ground pin

**APPLICATIONS INFORMATION**

The UT54LVDS032LVT receiver's intended use is primarily in an uncomplicated point-to-point configuration as is shown in Figure 3. This configuration provides a clean signaling environment for quick edge rates of the drivers. The receiver is connected to the driver through a balanced media which may be a standard twisted pair cable, a parallel pair cable, or simply PCB traces. Typically, the characteristic impedance of the media is in the range of 100Ω. An integrated termination resistor of 105Ω is used to match the media. The termination resistor converts the current sourced by the driver into voltages that are detected by the receiver. Other configurations are possible such as a multi-receiver configuration, but the effects of a mid-stream connector(s), cable stub(s), and other impedance discontinuities, as well as ground shifting, noise margin limits, and total termination loading must be taken into account.



**Figure 3. Point-to-Point Application**

The UT54LVDS032LVT differential line receiver is capable of detecting signals as low as 100mV, over a ±1V common-mode range centered around +1.2V. This is related to the driver offset voltage which is typically +1.2V. The driven signal is centered around this voltage and may shift ±1V around this center point. The ±1V shifting may be the result of a ground potential difference between the driver's ground reference and the receiver's ground reference, the common-mode effects of coupled noise or a combination of the two. Both receiver input pins should honor their specified operating input voltage range of 0V to +2.4V (measured from each pin to ground).

The integrated termination resistor is a nominal 105Ω when  $V_{DD}$  is 3.0 to 3.6V. In cold spare mode, the integrated termination resistor is 145Ω.

## Receiver Fail-Safe

The UT54LVDS032LVT receiver is a high gain, high speed device that amplifies a small differential signal (20mV) to TTL logic levels. Due to the high gain and tight threshold of the receiver, care should be taken to prevent noise from appearing as a valid signal.

The receiver's internal fail-safe circuitry is designed to source/sink a small amount of current, providing fail-safe protection (a stable known state of HIGH output voltage) for floating, terminated or shorted receiver inputs.

1. **Open Input Pins.** The UT54LVDS032LVT is a quad receiver device, and if an application requires only 1, 2 or 3 receivers, the unused channel(s) inputs should be left OPEN. Do not tie unused receiver inputs to ground or any other voltages. The input is biased by internal high value pull up and pull down resistors to set the output to a HIGH state. This internal circuitry will guarantee a HIGH, stable output state for open inputs.

2. **Terminated Input.** If the driver is disconnected (cable unplugged), or if the driver is in a three-state or power-off condition, the receiver output will again be in a HIGH state, even with the end of cable 100 $\Omega$  integrated termination resistor across the input pins. The unplugged cable can become a floating antenna which can pick up noise. If the cable picks up more than 10mV of differential noise, the receiver may see the noise as a valid signal and switch. To insure that any noise is seen as common-mode and not differential, a balanced interconnect should be used. Twisted pair cable offers better balance than flat ribbon cable.

3. **Shorted Inputs.** If a fault condition occurs that shorts the receiver inputs together, thus resulting in a 0V differential input voltage, the receiver output remains in a HIGH state. Shorted input fail-safe is not supported across the common-mode range of the device ( $V_{SS}$  to 2.4V). It is only supported with inputs shorted and no external common-mode voltage applied.

IN DEVELOPMENT

## ABSOLUTE MAXIMUM RATINGS<sup>1</sup>

(Referenced to  $V_{SS}$ )

SYMBOL	PARAMETER	LIMITS
$V_{DD}$	DC supply voltage	-0.3 to 4.0V
$V_{I/O}$	Voltage on any pin during operation	-0.3 to ( $V_{DD} + 0.3V$ )
	Voltage on any pin during cold spare	-.3 to 4.0V
$T_{STG}$	Storage temperature	-65 to +150°C
$P_D$	Maximum power dissipation	1.25 W
$T_J$	Maximum junction temperature <sup>2</sup>	+150°C
$\Theta_{JC}$	Thermal resistance, junction-to-case <sup>3</sup>	10°C/W
$I_I$	DC input current	±10mA

### Notes:

1. Stresses outside the listed absolute maximum ratings may cause permanent damage to the device. This is a stress rating only, and functional operation of the device at these or any other conditions beyond limits indicated in the operational sections of this specification is not recommended. Exposure to absolute maximum rating conditions for extended periods may affect device reliability and performance.
2. Maximum junction temperature may be increased to +175°C during burn-in and life test.
3. Test per MIL-STD-883, Method 1012.

## RECOMMENDED OPERATING CONDITIONS

SYMBOL	PARAMETER	LIMITS
$V_{DD}$	Positive supply voltage	3.0 to 3.6V
$T_C$	Case temperature range	-55 to +125°C
$V_{IN}$	DC input voltage, receiver inputs	2.4V
	DC input voltage, logic inputs	0 to $V_{DD}$ for EN, $\overline{EN}$

**DC ELECTRICAL CHARACTERISTICS**<sup>1</sup> $(V_{DD} = 3.3V \pm 0.3V; -55^{\circ}C < T_C < +125^{\circ}C)$ 

SYMBOL	PARAMETER	CONDITION	MIN	MAX	UNIT
$V_{IH}$	High-level input voltage	(TTL)	2.0		V
$V_{IL}$	Low-level input voltage	(TTL)		0.8	V
$V_{OL}$	Low-level output voltage	$I_{OL} = 2mA, V_{DD} = 3.0V$		0.25	V
$V_{OH}$	High-level output voltage	$I_{OH} = -0.4mA, V_{DD} = 3.0V$	2.7		V
$I_{IN}$	Logic input leakage current	Enables = $\overline{EN}/\overline{EN} = 0$ and 3.6V, $V_{DD} = 3.6$	-10	+10	$\mu A$
$I_I$	Receiver input Current	$V_{IN} = 2.4V$	-15	+15	$\mu A$
$I_{CS}$	Cold Spare Leakage Current	$V_{IN} = 3.6V, V_{DD} = V_{SS}$	-20	+20	$\mu A$
$V_{TH}^3$	Differential Input High Threshold	$V_{CM} = +1.2V$		+100	mV
$V_{TL}^3$	Differential Input Low Threshold	$V_{CM} = +1.2V$	-100		mV
$I_{OZ}^3$	Output Three-State Current	Disabled, $V_{OUT} = 0V$ or $V_{DD}$	-10	+10	$\mu A$
$V_{CL}$	Input clamp voltage	$I_{CL} = +18mA$	-1.5		V
$I_{OS}^{2,3}$	Output Short Circuit Current	Enabled, $V_{OUT} = 0V^2$	-15	-130	mA
$I_{CC}^3$	Supply current, receivers enabled	$\overline{EN}, \overline{EN} = V_{DD}$ or $V_{SS}$ Inputs Open		15	mA
$I_{CCZ}^3$	Supply current, receivers disabled	$\overline{EN} = V_{SS}, \overline{EN} = V_{DD}$ Inputs Open		4	mA
$R_{TERM}^4$	Termination Resistor	$V_{DD} = 3.0V$ to $3.6V$	90	128	$\Omega$

**Notes:**

- Current into device pins is defined as positive. Current out of device pins is defined as negative. All voltages are referenced to ground.
- Output short circuit current ( $I_{OS}$ ) is specified as magnitude only, minus sign indicates direction only. Only one output should be shorted at a time, do not exceed maximum junction temperature specification.
- Guaranteed by characterization.
- $R_{TERM} = 145\Omega$  in cold spare mode ( $V_{DD} = 0V$ ).

### AC SWITCHING CHARACTERISTICS<sup>1, 2, 3</sup>

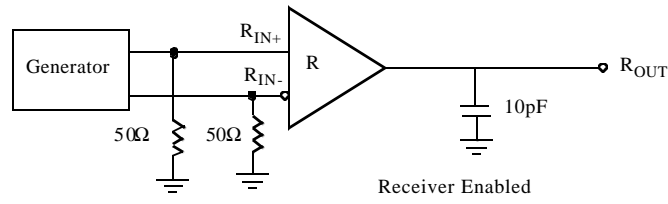
( $V_{DD} = +3.3V \pm 0.3V$ ,  $T_A = -55\text{ }^\circ\text{C}$  to  $+125\text{ }^\circ\text{C}$ )

SYMBOL	PARAMETER	MIN	MAX	UNIT
$t_{PHLD}^6$	Differential Propagation Delay High to Low CL = 10pf (figures 4 and 5)	1.0	4.0	ns
$t_{PLHD}^6$	Differential Propagation Delay Low to High CL = 10pf (figures 4 and 5)	1.0	4.0	ns
$t_{SKD}^4$	Differential Skew ( $t_{PHLD} - t_{PLHD}$ ) (figures 4 and 5)	0	0.35	ns
$t_{SK1}^4$	Channel-to-Channel Skew <sup>1</sup> (figures 4 and 5)	0	0.5	ns
$t_{SK2}^4$	Chip-to-Chip Skew <sup>5</sup> (figures 4 and 5)		1.5	ns
$t_{TLH}^4$	Rise Time (figures 4 and 5)		1.2	ns
$t_{THL}^4$	Fall Time (figures 4 and 5)		1.2	ns
$t_{PHZ}^4$	Disable Time High to Z (figures 6 and 7)		12	ns
$t_{PLZ}^4$	Disable Time Low to Z (figures 6 and 7)		12	ns
$t_{PZH}^4$	Enable Time Z to High (figures 6 and 7)		12	ns
$t_{PZL}^4$	Enable Time Z to Low (figures 6 and 7)		12	ns

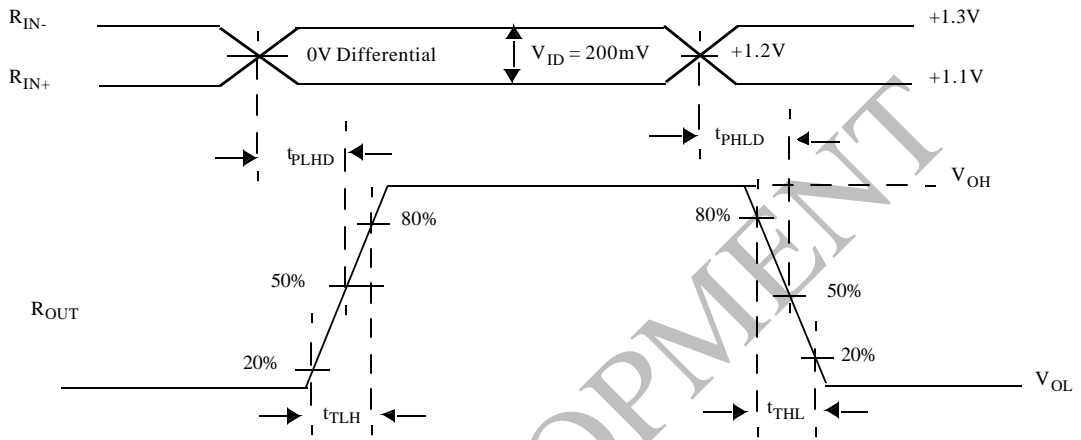
**Notes:**

1. Channel-to-Channel Skew is defined as the difference between the propagation delay of the channel and the other channels in the same chip with an event on the inputs.
2. Generator waveform for all tests unless otherwise specified:  $f = 1\text{ MHz}$ ,  $Z_0 = 50\Omega$ ,  $t_r$  and  $t_f$  (0% - 100%)  $\leq 1\text{ ns}$  for  $R_{IN}$  and  $t_r$  and  $t_f \leq 1\text{ ns}$  for EN or EN.
3.  $C_L$  includes probe and jig capacitance.
4. Guaranteed by characterization.
5. Chip to Chip Skew is defined as the difference between the minimum and maximum specified differential propagation delays.
6. May be tested at higher load capacitance and the limit interpolated from characterization data to guarantee this parameter.

IN DEVELOPMENT



**Figure 4. Receiver Propagation Delay and Transition Time Test Circuit or Equivalent Circuit**



**Figure 5. Receiver Propagation Delay and Transition Time Waveforms**

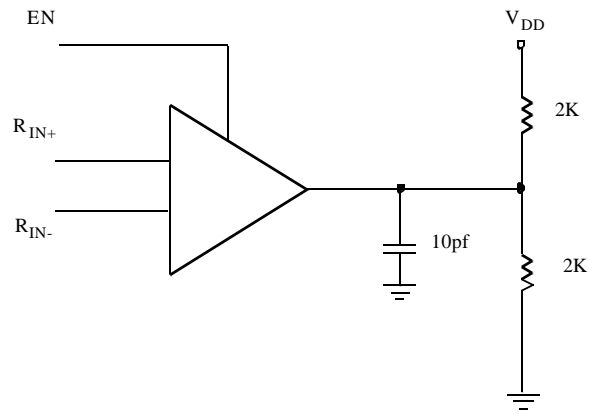


Figure 6. Receiver Three-State Delay Test Circuit or Equivalent Circuit

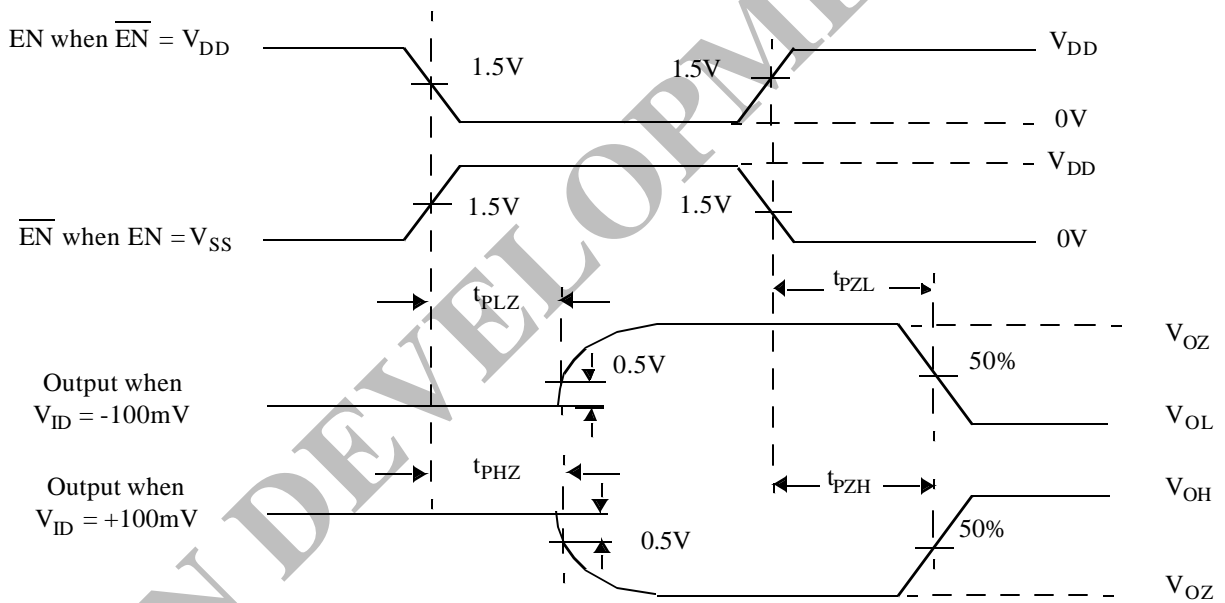
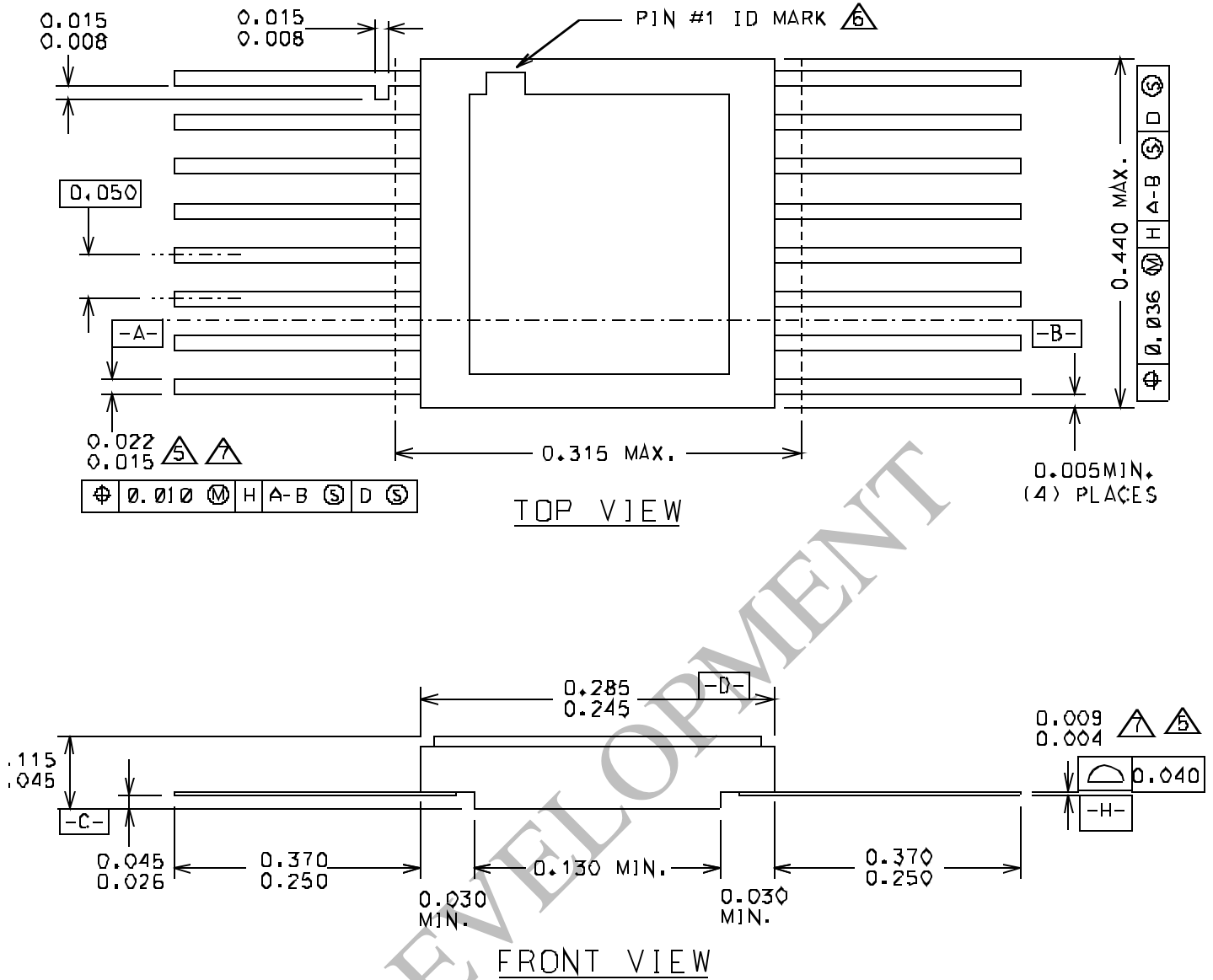


Figure 7. Receiver Three-State Delay Waveform



## PACKAGING



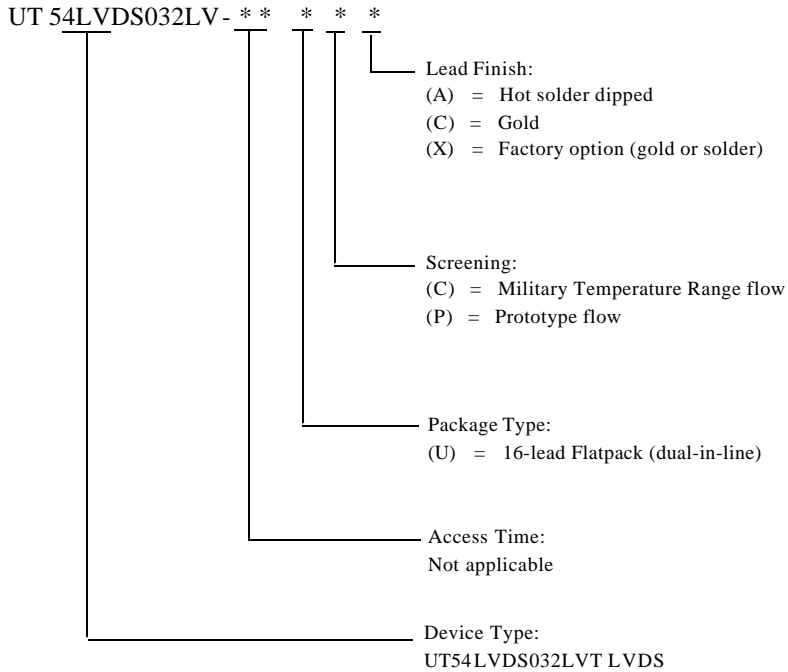
**Notes:**

1. All exposed metalized areas are gold plated over electroplated nickel per MIL-PRF-38535.
  2. The lid is electrically connected to VSS.
  3. Lead finishes are in accordance to MIL-PRF-38535.
  4. Package dimensions and symbols are similar to MIL-STD-1835 variation F-5A.
- $\triangle$  Lead position and coplanarity are not measured.  
 $\triangle$  ID mark symbol is vendor option.  
 $\triangle$  With solder, increase maximum by 0.003.

**Figure 8. 16-pin Ceramic Flatpack**

## ORDERING INFORMATION

### UT54LVDS032LVT QUAD RECEIVER:

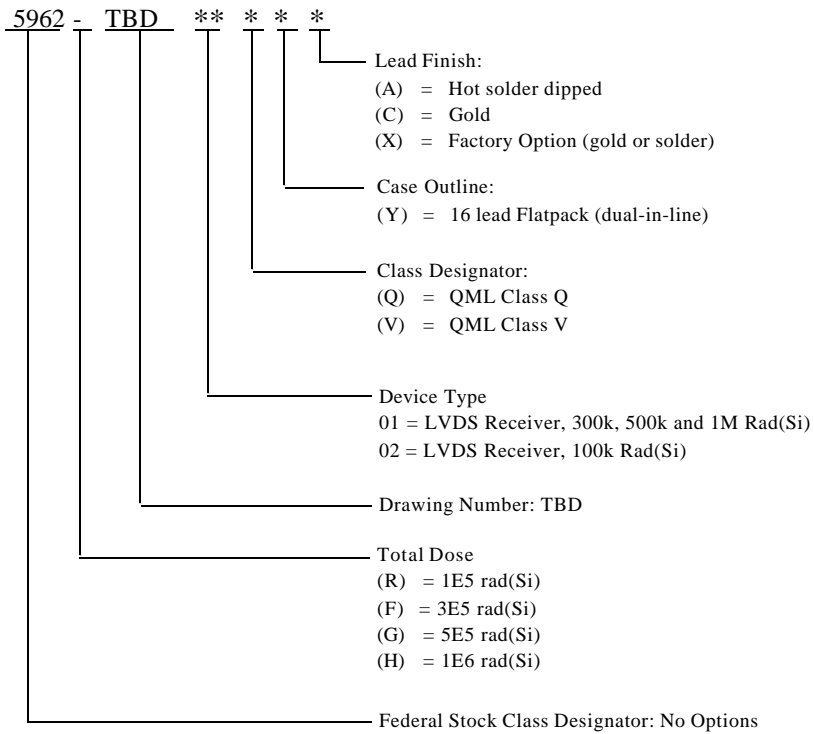


#### Notes:

1. Lead finish (A,C, or X) must be specified.
2. If an "X" is specified when ordering, then the part marking will match the lead finish and will be either "A" (solder) or "C" (gold).
3. Prototype flow per UTM Manufacturing Flows Document. Tested at 25°C only. Lead finish is GOLD ONLY. Radiation neither tested nor guaranteed.
4. Military Temperature Range flow per UTM Manufacturing Flows Document. Devices are tested at -55°C, room temp, and 125°C. Radiation neither tested nor guaranteed.

IN DEVELOPMENT

## UT54LVDS032LVT QUAD RECEIVER: SMD



### Notes:

1. Lead finish (A, C, or X) must be specified.
2. If an "X" is specified when ordering, part marking will match the lead finish and will be either "A" (solder) or "C" (gold).
3. Total dose radiation must be specified when ordering. QML Q and QML V not available without radiation hardening.

IN DEVELOPMENT